

# Arrive FacePoint® 2151-OTT

Over-the-Top Compact Camera and  
Video Collaboration Processor Appliance  
Model AFP-2151-OTT

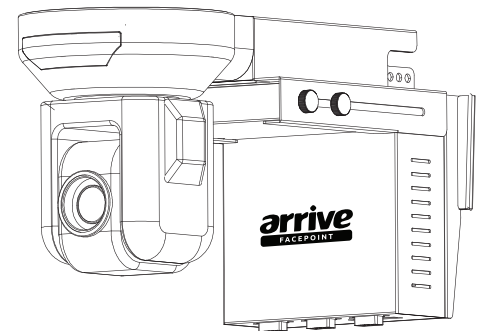


The Arrive® FacePoint® Edgeless Media Over-the-Top (OTT) integrated Camera Codec Appliance product line marks the industry's first generation of universally integrated camera devices optimized to deliver video collaboration across rooms, desktop and mobile users. This integrated camera, codec hardware and software platform supports industry leading HD Multi-Party Video Conferencing, most commonly used wireless screen mirroring capability (wireless BYOD), AV device control and Virtual PC in a single device. This positions Arrive FacePoint® OTT as the most innovative and cost effective interface for today's most wanted extreme collaboration requirements in enterprise and education.

The AFP-2151-OTT has a very small footprint with camera, codec and controller integrated together in a single unit. Its unique, compact design is created to fix to the top of a connected flat panel display with the camera partially suspended over the bezel of the display for making better eye contact with the facing participants.

Our single AIO pan-tilt camera appliance delivers a powerful and efficient extreme collaboration experience for huddle rooms, meeting rooms and classrooms with its versatile form factor makes it an ideal solution where video collaboration is required to be delivered within space and budget constraints.

Arrive's integrated OnePoint Edgeless Media platform comprised of central provisioning and management of rooms and devices as well as cloud managed intuitive user experience from in-room touch interactive control consoles makes enterprise wide mass deployment and configuration of systems, a real breeze.



AFP-2151-OTT  
Over-the-Top Compact Camera and Video  
Collaboration Processor Appliance



## Key Features

- ① The AFP-2151-OTT is unique, since it can support user's choice of multi-platform video collaboration using any of the leading software codec platforms such as Microsoft Lync, Polycom Realpresence, Cisco Webex, Cisco Jabber, Go-to-Meeting, Skype, Google Hangouts, Blue Jeans and Zoom. Arrive FacePoint® is WebRTC ready and will require no hardware upgrades to enable adoption of this platform as it comes into mainstream use in 2015-2016.
- ① In those enterprise environments that use Microsoft Lync (Skype for Business) as a unified communication platform, AFP-2151-OTT delivers HD quality multi-party video conferencing using the powerful collaboration and whiteboarding features of Microsoft Lync® 2013 and Office 365.
- ① Built-in multi-screen capable universal wireless media receiver for BYODs that support Apple Airplay and Wifi Miracast wireless screen mirroring.
  - Functions as the wireless BYOD gateway to Apple® AirPlay compatible iOS devices such as iPads and iPhones; connecting seamlessly without any requirement for client software downloads. Can support Miracast WiFi direct screen mirroring provided a compatible wireless Miracast capable USB dongle is used.
  - Transmit wireless Audio and Video sync and play back.
  - Eliminates the need for client applications to be downloaded on Apple iOS, Android 4+ and Windows 8.1 OS devices
  - Eliminates the need for dongles, HDMI nodes or break-out USB senders to be connected and disconnected each time
- ① With its built-in 3xCOM ports and unlimited LAN control, the AFP-2151-OTT provides dedicated control for serial connected AV devices and in-room automation requirements. The Arrive OnePoint EMServer and EMControl applications provide high end device and graphic UIs with Arrive's next generation cloud based control design and management.
- ① With its virtual desktop and centrally managed EMS App Store, the AFP-2151-OTT can perform the functions of an in-room PC, and can run centrally published software applications such as Internet browsers, Microsoft Office productivity suite and others from the touch screen console. Browse Cloud Content and access user selected storage locations such as OneDrive, Drop Box, and shared drives.
- ① The AFP-2151-OTT has a unique small footprint with an adjustable mounting profile ideally suited for mounting on top and behind displays with only the camera visible above the display bezel. Its ultra compact design delivers low ambient-noise performance optimized for collaboration environments.
- ① The compact design and versatile mounting capability of the AFP-2151-OTT significantly reduces cabling installation and can also eliminate the need to install AV equipment racks in smaller sized meeting and learning spaces.
- ① Centralized set-up, configuration, application delivery and management via the OnePoint EMServer for scalable deployments.

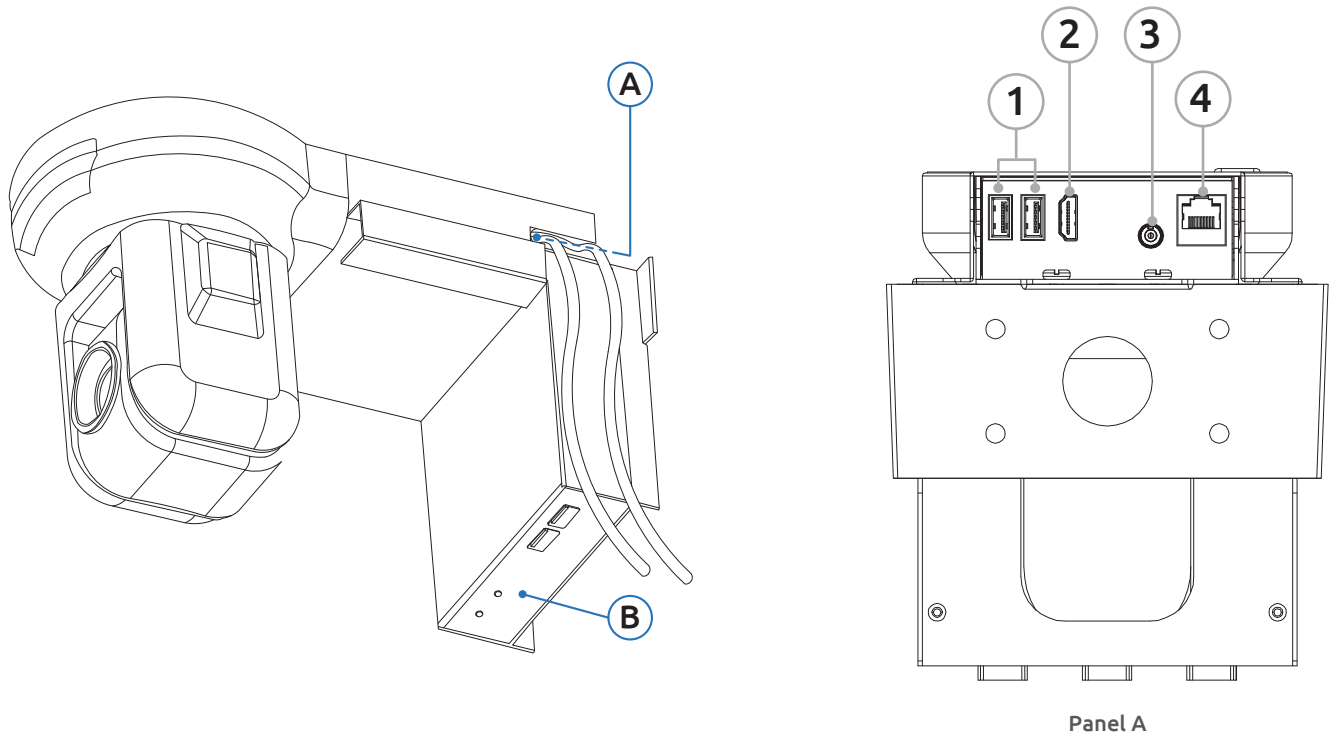
 Specifications

**Processing**

**Software Application** Embedded Arrive FacePoint® edition software application running on next generation Intel processing platform with integrated SSD storage based on an administrator accessible Microsoft Windows Embedded OS platform.

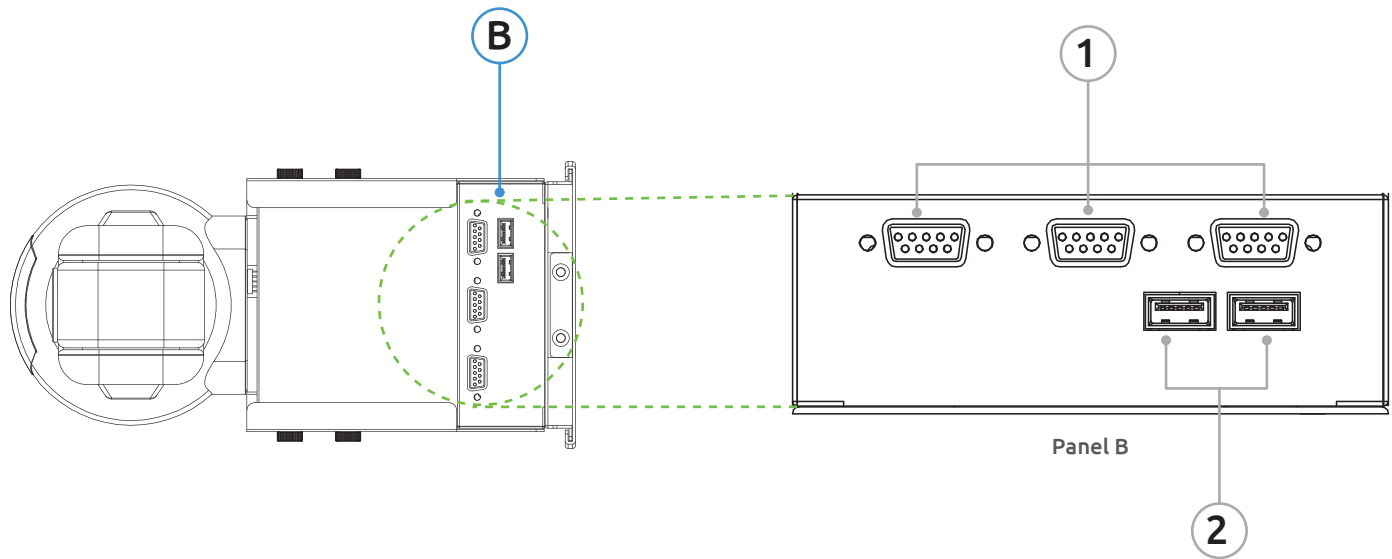
**Wireless BYOD** Integrated Apple® AirPlay® capability when connected to WiFi LAN. Provides out-of-the-box multi-screen mirroring of Apple AirPlay capable devices. Can support Miracast WiFi direct screen mirroring provided a compatible wireless Miracast capable USB-WiFi dongle is used on the USB port of the device.

**Top panel A Input / Output Connections**



- |       |                          |   |
|-------|--------------------------|---|
| 1     | <b>2 x USB 3.0 Ports</b> | To connect USB 3.0 and USB 2.0 capable video/audio extension devices such as microphones and conference speaker phones., etc. Arrive provides a full range of compatible USB devices. |
| <hr/> |                          |   |
| 2     | <b>HDMI</b>              | The maximum supported resolution is 1920 x 1200 @ 60 Hz, 24bpp. The HDMI port is compliant with the HDMI 1.4a specification.  |
| <hr/> |                          |   |
| 3     | <b>DC</b>                | For 12V DC approved adapters only.  |
| <hr/> |                          |   |
| 4     | <b>Network</b>           | Gigabit LAN supporting 10/100/1000 Mb/s. For network access and unlimited TCP/IP device control directly or via third party control systems such as Global Cache, Crestron, AMX etc.  |

### Bottom panel B Input / Output Connections



1 3 x COM Ports

3 x DB9 Serial COM Ports. Control connected AV devices.

2 2 x USB 3.0 Ports

To connect USB 3.0 Cameras / USB 2.0 capable video/audio extension devices such as microphones and conference speaker phones., etc. Arrive provides a full range of compatible USB devices.

#### Media Capture

Supported using Arrive Media Bridge - external HDMI-USB capture interface (not included).

(Please refer to Arrive Media Bridge - AHD-CAP-1010 documentation at [www.arrivesys.com](http://www.arrivesys.com))

#### Integrated Camera

USB 2.0 Pan Tilt Wide Angle 720p Camera

### Included Cables and Hardware

- 1 x 12V Power Adapter
- 1 x Power Cord (US Standard)

### Operational requirements

- Requires Arrive OnePoint Edgeless Media® Server software for scheduling and central management,
- Comes with Arrive ControlPoint™ software app license (for client provided tablet) for control user interface

### Operating environment

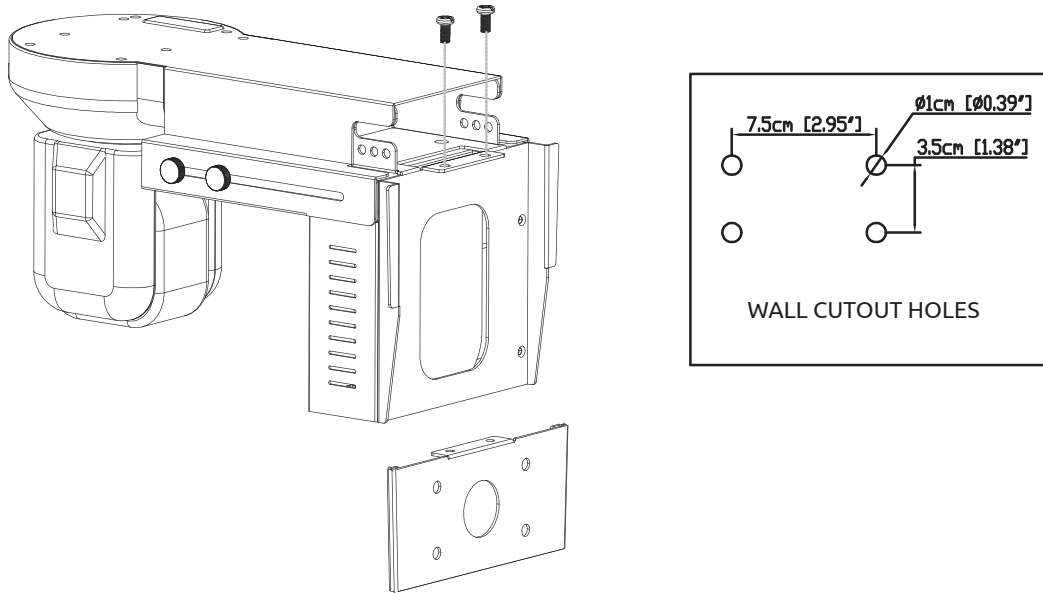
Power requirements	For 12V DC approved adapters only.
Power consumption	60-120w
Operating temperature	0 ~ 45°C (32 ~ 113°F)
Operating Position	Vertical/Horizontal
Storage temperature	-20 ~ 80°C (-4 ~ 176°F)
Operating Humidity	0 ~ 90%, non-condensing

SPECIFICATIONS

Arrive FacePoint® 2151 - Over-the-Top Integrated Camera Appliance

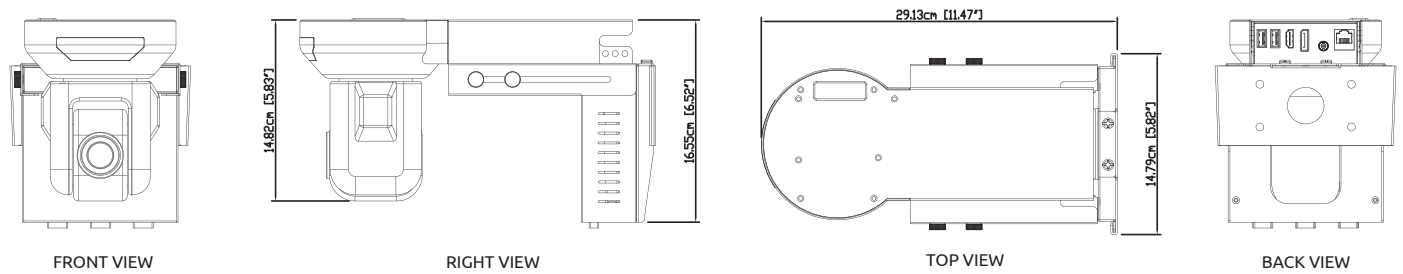
Model AFP-2151-OTT

Frame/Case and Mounting



Frame/Case	Recyclable metal alloy; ultra-slim integrated frame and camera mount
Color	Black
Mounting	On top of flat-panel displays
Mounting bracket	Standard VESA mount kit included.

Dimensions and Weights\*



Net Weight/unit	5.732lbs (2.6kg)
Unit dimension	12.2" W x 5.59"H x 6.49" D (31x14.2x16.5cm)
Shipping dimensions at 1 unit/box:	17.51" W x 8.07"H x 9.25" D (44.5 x 20.5 x 23.5cm)
Gross Shipping weight	9.038lbs (4.1kg)

**Certification and compliance**

Regulatory certification	FCC-Class A
Environmental compliance	CE, WEEE, RoHS

**Purchasing information**

Model No	AFP-2151-OTT
Description	Arrive FacePoint® 2151-OTT - Compact Camera Codec Control Processor Appliance with Universal Wireless BYOD that fixes over-the-top of any flat panel display.
SKU#	AFP-2152-001-001

**Support information**

AFP-2151-CFS-1	Standard initial 12 months CarePoint Foundation Service Support (CFSS). Refer to CFSS-1 section of Ver. CFSS-ASAP-0101-15.
AFP-2151-CFU-2	Extended 24 months CarePoint Foundation Service Support (CFSS)upgrade. Available during initial purchase only. Refer to CFU-2 section of Ver. CFSS-ASAP-0101-15.
AFP-2151-CFS-3	Extended 36 months CarePoint Foundation Service Support (CFSS). Refer to CFSS-3 section of Ver. CFSS-ASAP-0101-15.
AFP-2151-ASAP	CarePoint Advanced Support Action Program (ASAP) - Advance Hardware Replacement Warranty. Refer to ASAP section of Ver. CFSS-ASAP-0101-15.

All Arrive® media and video collaboration processing products ship with a standard limited first user warranty that covers both software and hardware. Customer's have the choice of 12 / 24 /36 month extended CarePoint Foundation Service Support, with the 24 months as an optional upgrade during the initial purchase. Arrive believes in its services and offers an excellent choice of extended warranties and advance replacement programs with numerous options for customers. By making the CarePoint Foundations Services a unique service part number, Arrive signifies the importance that it places on customer service. Please refer to Ver. EULA-SLHW-0101-15 - visit [carepoint.arrivesys.com/warranty](http://carepoint.arrivesys.com/warranty) for updated information on warranty.



**Arrive Systems, Inc.**  
 6737 Katella Avenue  
 Cypress, CA 90630, USA  
[info@arrivesys.com](mailto:info@arrivesys.com)  
 +1-888-502-0715 (USA/Canada Toll Free)

AFP-2151-808-003  
 Copyright © 2015 Arrive Systems, Inc. All rights reserved. All trademarks and copyrights, whether acknowledged or otherwise, are owned by their respective owners and are registered in the U.S. and/or other countries. Arrive® does not claim ownership of any trademark other than the Arrive®, Arrive InfoPoint®, Arrive RoomPoint®, Arrive FacePoint®, Arrive ViewPoint®, Arrive CloudPoint®, Arrive MediaPoint®, Arrive AirPoint®, Arrive NetPoint®, Arrive TouchPoint®, Arrive ControlPoint®, Arrive CablePoint®, Arrive EyePoint®, Arrive VoicePoint®, Arrive SoundPoint®, Arrive OnePoint® and Arrive Edgeless Media® trademarks. Specifications are subject to change without notice. All images are provided for reference use only, are graphically generated and representative for promotional purposes. Finished goods, packaging and products will be provided with user interface designs and graphic elements including packaging design elements that may vary from the images shown in this document. E&OE.